

Ring Light

# NEO Ring Light

## IHRA series

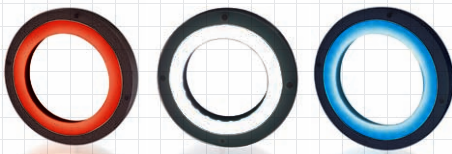
High Illuminance · Wide-area illumination Ring

Extensive lineup available from  $\phi 60$  to  $\phi 350$



Power LEDs

24V DC Models Available



Model	Light Color	Power Consumption [W]	Input Voltage	SAG (+)	Power Supply	Drawing
IHRA-60□S	R	6.5		FF		1
	AW					
IHRA-80□S	R	9		FF		2
	B					
IHRA-120□S	R	13.5	DC12V	FF	ILP-30M2 (P.85) IDGB Series (P.81) other, overdrive power supply etc.	3
	AW					
IHRA-150□S	R	18		FF		4
	B					
IHRA-220□S	R	28.5		FF		5
	AW					
IHRA-270□HVS	R	34		C3		6
	B					
IHRA-350□HVS	R	44	DC24V	—	ILP-60M2-24 (P.85) IDGB-24 series (P.81)	7
	AW					
	B					

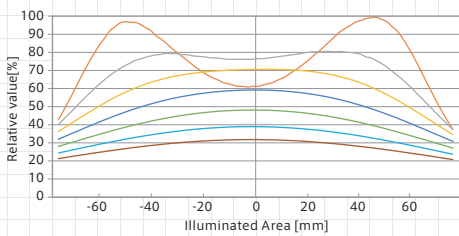
\*□ represents light color (R=Red, AW=White, B=Blue)

\*Input voltage is 12 V DC, but 24 V DC models are also available.

\*Diffusing plate is removable. Optional polarizing plate is available.

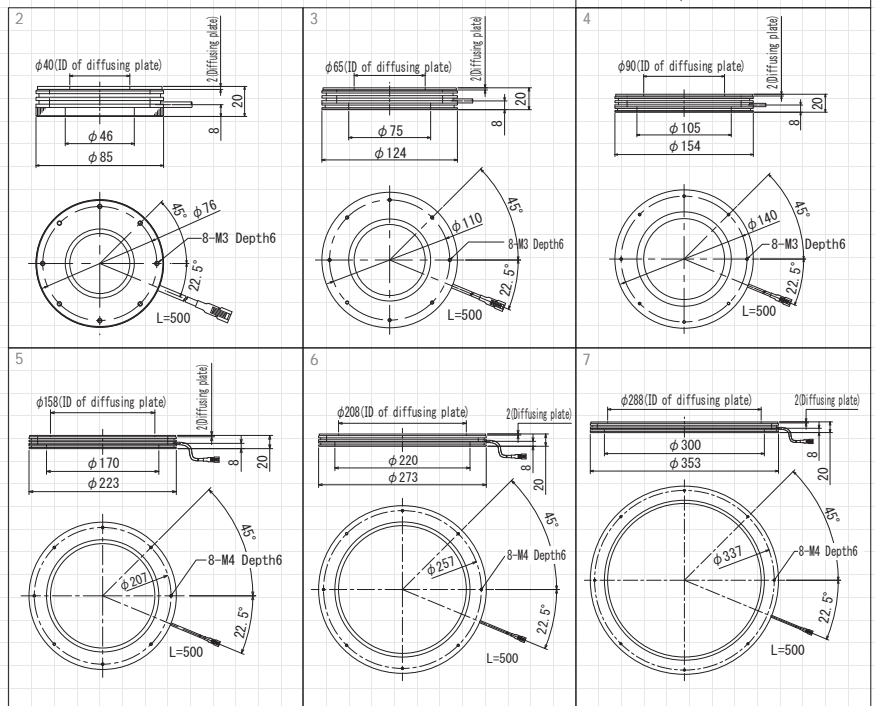
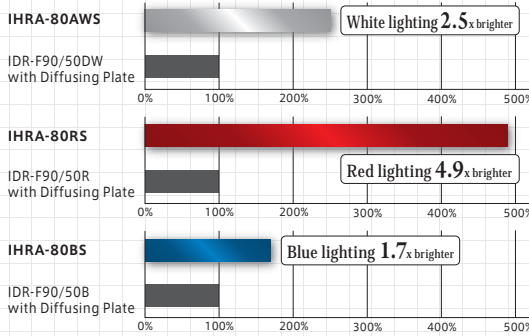
\*The SAG value indicates the maximum voltage setting for SAG power supplies. For details, see page 91.

### Luminance Distribution Chart (Reference Values)



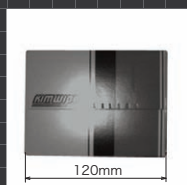
Measurement model: IHRA-150AWS

### Comparison of Light Intensity with Previous Models (Reference Values) (WD=50mm)



### Effect

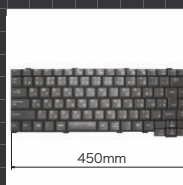
Example of large workpiece photographed when illuminating subject from distance of 600 mm or more. A wide area is evenly illuminated.



IDR-90/50DW



IHRA-350AWHVS



IDR-90/50DW



IHRA-350AWHVS

### LIGHTING STRUCTURE

